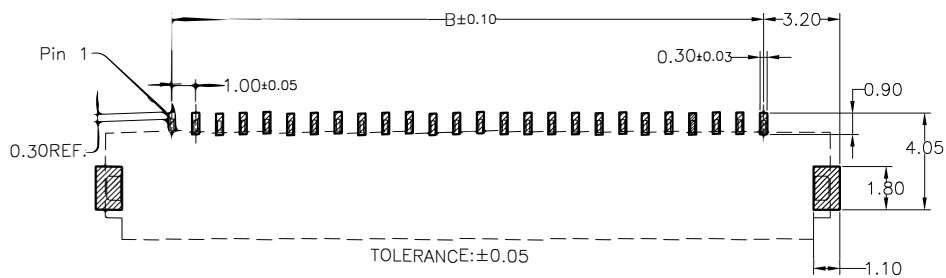
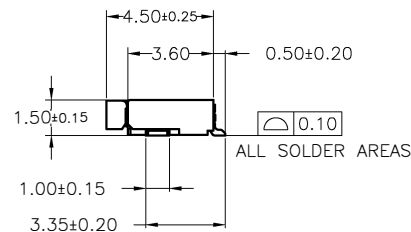
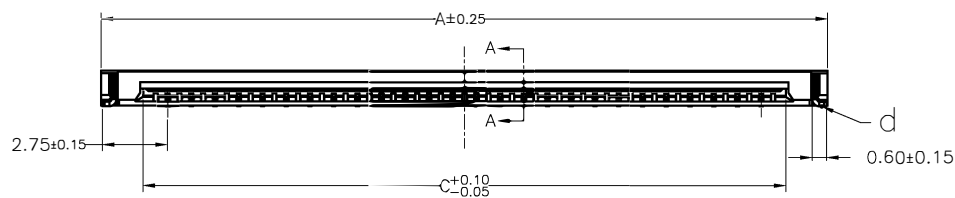
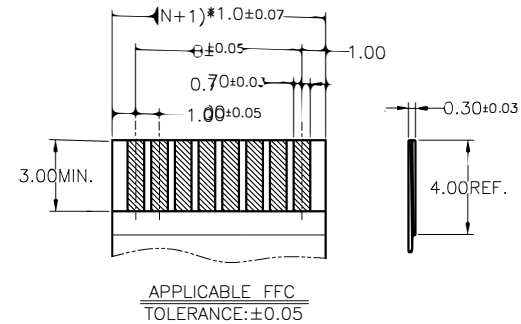
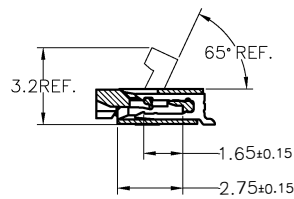
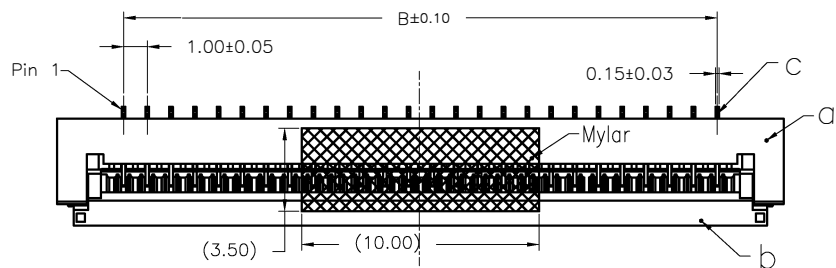


环保物料



Voltage Rating : 50V AC/DC
 Current Rating : 0.5A AC,DC
 Withstand Voltage : 500V AC/minute
 Contact Resistance : 30mΩ(MAX.)
 Insulation Resistance : 500MΩ(MIN.)
 Temperature Range : -55°C~+85°C

41005W90-NPN-S H L 2E T B M
 ① ② ③ ④ ⑤ ⑥ ⑦ ⑧ ⑨ ⑩ ⑪

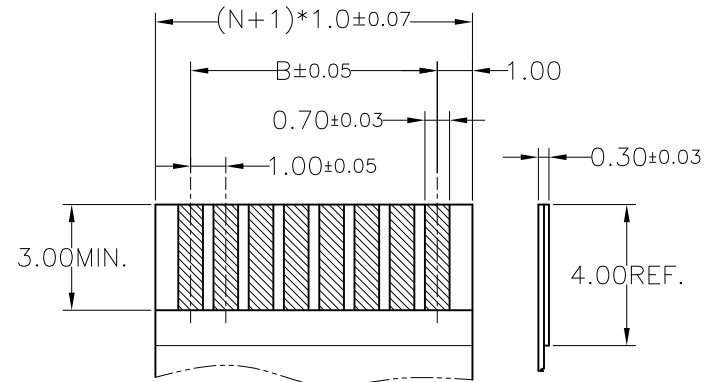
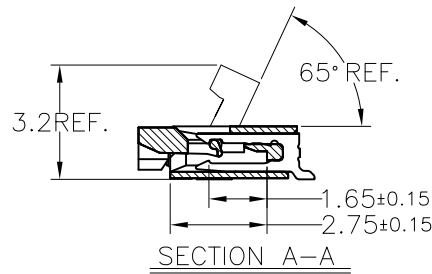
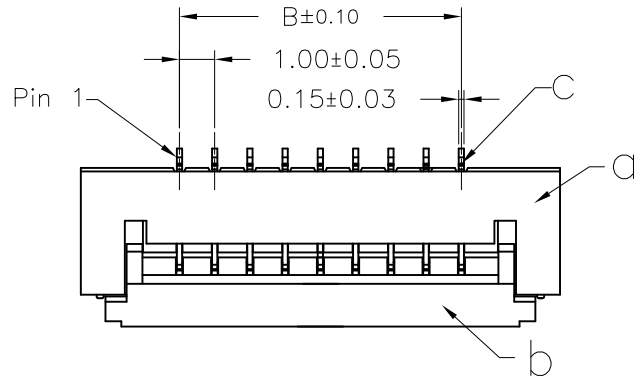
- ① Series No.
- ② W90 :Right angle
- ③ No. of Circuits
- ④ Color: N=Natural
- ⑤ S: SMT type
- ⑥ H=Halogen Free
- ⑦ Material: L=LCP
- ⑧ Plating for contacts:
2E=Matte Tin-plated
0A=Gold-flash
- ⑨ Plating for solder area:
T=Matte Tin-plating
- ⑩ Assembly Style
B=Bottom Contacts
- ⑪ M=Reel with mylar Backing

PIN NO.	DIM. A	DIM. B	DIM. C
04	8.60	3.00	5.07
05	9.60	4.00	6.07
06	10.60	5.00	7.07
07	11.60	6.00	8.07
08	12.60	7.00	9.07
09	13.60	8.00	10.07
10	14.60	9.00	11.07
11	15.60	10.00	12.07
12	16.60	11.00	13.07
13	17.60	12.00	14.07
14	18.60	13.00	15.07
15	19.60	14.00	16.07
16	20.60	15.00	17.07
17	21.60	16.00	18.07
18	22.60	17.00	19.07
19	23.60	18.00	20.07
20	24.60	19.00	21.07
21	25.60	20.00	22.07
22	26.60	21.00	23.07
23	27.60	22.00	24.07
24	28.60	23.00	25.07
25	29.60	24.00	26.07
26	30.60	25.00	27.07
27	31.60	26.00	28.07
28	32.60	27.00	29.07
29	33.60	28.00	30.07
30	34.60	29.00	31.07
31	35.60	30.00	32.07
32	36.60	31.00	33.07

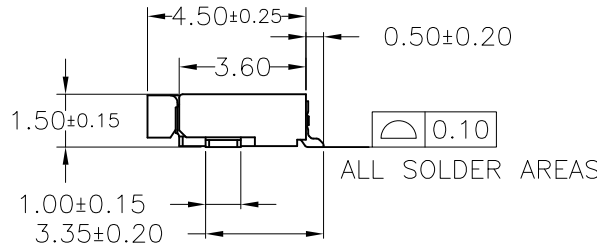
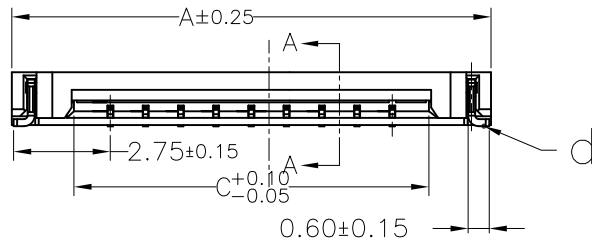
No.	Description	Material	Color/Finish
a	Housing	LCP,UL94V-0	Natural
b	Actuator	LCP,UL94V-0	Black
c	Terminal	Phosphor Bronze	Matte Tin/Gold Flash
d	LEG	Phosphor Bronze	Matte Tin Plating Over Ni

				一般公差 GENERAL TOLERANCE		绘图 DR.	程功银	料号 PART NO.	文件编号 NUMBER	 TERMINAL&CONNECTORS		
				X.X ±0.25	X' ±2'	校对 CHK.	李兴泽	41005W90-NPN-SHL2ETBM				
				X.XX ±0.15	X.X' ±1'	审核 CHK.	李兴泽	品名 TITLE		FPC 1.0 Pitch 1.5H ZIF R/A Connector		
				X.XXX ±0.08	△ MAJOR DIM.	核准 APPD.	杨章雄			比例 SCALE	SHEET	版次 REV.
版次 REV.	日期 DATE	变更内容 DESCRIPTION	审核 CHK.	核准 APPD.	单位 UNIT	mm				1/1	1/1	C0

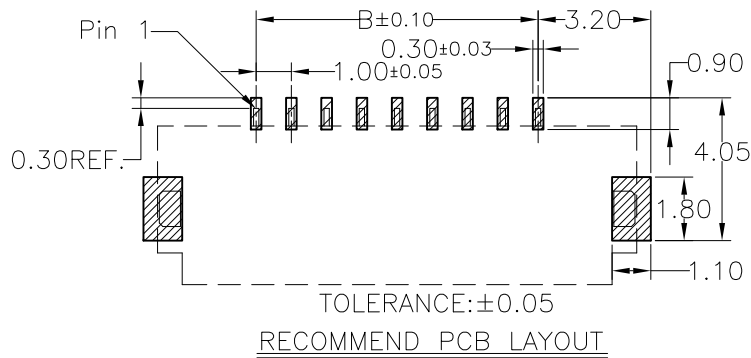
环保物料



PIN NO.	DIM. A	DIM. B	DIM. C
04	8.60	3.00	5.07
05	9.60	4.00	6.07
06	10.60	5.00	7.07
07	11.60	6.00	8.07
08	12.60	7.00	9.07
09	13.60	8.00	10.07
10	14.60	9.00	11.07
11	15.60	10.00	12.07
12	16.60	11.00	13.07
13	17.60	12.00	14.07
14	18.60	13.00	15.07
15	19.60	14.00	16.07
16	20.60	15.00	17.07
17	21.60	16.00	18.07
18	22.60	17.00	19.07
19	23.60	18.00	20.07
20	24.60	19.00	21.07
21	25.60	20.00	22.07
22	26.60	21.00	23.07
23	27.60	22.00	24.07
24	28.60	23.00	25.07
25	29.60	24.00	26.07
26	30.60	25.00	27.07
27	31.60	26.00	28.07
28	32.60	27.00	29.07
29	33.60	28.00	30.07
30	34.60	29.00	31.07
31	35.60	30.00	32.07
32	36.60	31.00	33.07



Voltage Rating : 50V AC/DC
 Current Rating : 0.5A AC,DC
 Withstand Voltage : 500V AC/minute
 Contact Resistance : 30mΩ(MAX.)
 Insulation Resistance : 500MΩ(MIN.)
 Temperature Range : -25°C~+85°C



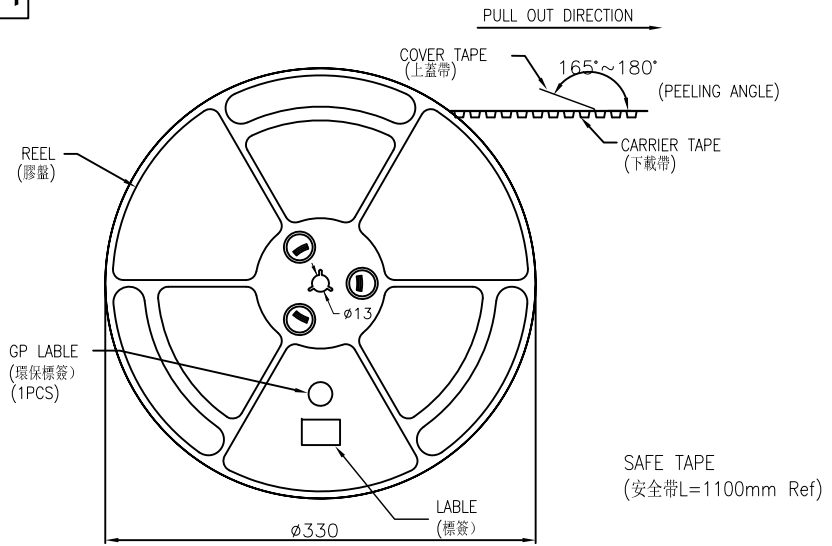
41005W90-NPN-S H L 2E T B R
 ① ② ③ ④ ⑤ ⑥ ⑦ ⑧ ⑨ ⑩ ⑪

- ① Series No.
- ② W90 :Right angle
- ③ No. of Circuits
- ④ Color: N=Natural
- ⑤ S: SMT type
- ⑥ H=Halogen Free
- ⑦ Material: L=LCP
- ⑧ Plating for contacts:
2E=Matte Tin-plated
0A=Gold-flash on contact area
- ⑨ Plating for solder area:
T=Matte Tin-plating
- ⑩ Assembly Style
B=Bottom Contacts
- ⑪ R=Tape & Reel

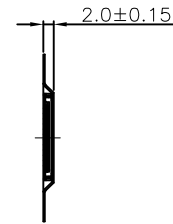
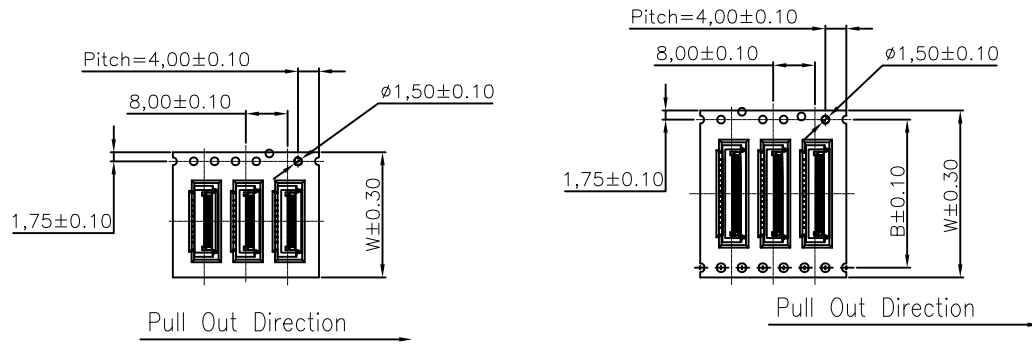
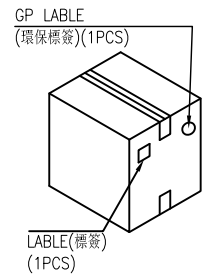
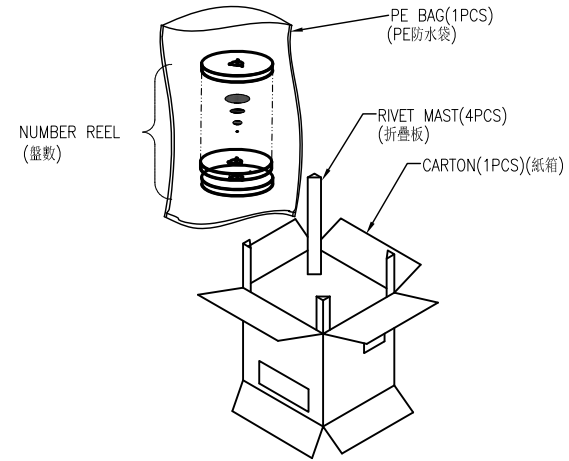
No.	Description	Material	Color/Finish
a	Housing	LCP,UL94V-0	Natural
b	Actuator	LCP,UL94V-0	Black
c	Terminal	Phosphor Bronze	Matte Tin/Gold Flash
d	LEG	Phosphor Bronze	Matte Tin Plating Over Ni

一般公差 GENERAL TOLERANCE						绘图 DR.	程功银	料号 PART NO.		文件编号 NUMBER		 TERMINAL&CONNECTORS					
X.X ±0.25		X' ±2'		X.XX ±0.15		X.X' ±1'		41005W90-NPN-SHL2ETBR		ENDE05					品名 TITLE		
X.XXX ±0.08		△ MAJOR DIM.		单位 UNIT		审核 CHK.		杨章雄		FPC 1.0 Pitch 1.5H ZIF R/A Connector		比例 SCALE		SHEET		版次 REV.	
A0		17.03.07		换图框发行		李兴泽						1/1		1/1		A0	
版次 REV.	日期 DATE	变更内容 DESCRIPTION	审核 CHK.	核准 APPD.	mm			核准 APPD.	杨章雄	FPC 1.0 Pitch 1.5H ZIF R/A Connector		比例 SCALE	SHEET	版次 REV.			

环保物料

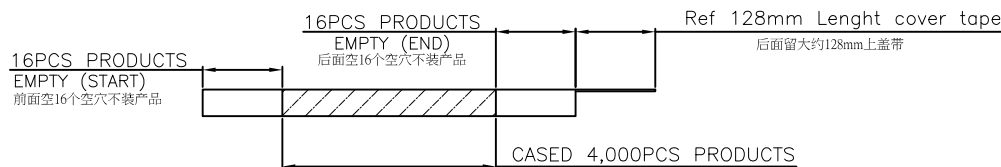


Scale 1:4



NOTES :

1. CARTON SPEC. :350 *350 *340mm(OUT DIM) , PAPPER THICKNESS =5mm
2. UPPER and DOWN EPS: 350*350mm THICKNESS =8mm.
3. THE COVER TAPE PEELING FORCE:30~100g.
4. PER REEL CASED ONE AIR BLADDER BAG.
5. CARRIER TAPE COLOR:BLACK.

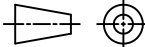


PIN NO.	C	W	B	PCS/Reel	Reel/Carton	Sum(PCS)
04PIN~09PIN	28.5	24	-	4,000	10	40,000
10PIN~14PIN	36.5	32	28.4	4,000	8	32,000
15PIN~27PIN	48.5	44	40.4	4,000	6	24,000
28PIN~33PIN	60.5	56	52.4	4,000	5	20,000

一般公差 GENERAL TOLERANCE

X.X	± 0.25	X'	$\pm 5'$
X.XX	± 0.15	X.X'	$\pm 2'$
X.XXX	± 0.08	▲ MAJOR DIM.	

单位 UNIT
mm



绘图 DR.

程功银

校对 CHK.

李兴泽

审核 CHK.

李兴泽

核准 APPD.

杨章雄

料号 PART NO.

41005W90-NPN-SHL2ETBR

文件编号 NUMBER

ENDE05

品名 TITLE

FPC 1.0 Pitch 1.5H ZIF R/A Connector

JCTC®
TERMINAL & CONNECTORS

比例 SCALE
1/1

SHEET
2/2

版次 REV.
A0

版次 REV.	日期 DATE	变更内容 DESCRIPTION	审核 CHK.	核准 APPD.
A0	17.03.07	换图框发行		